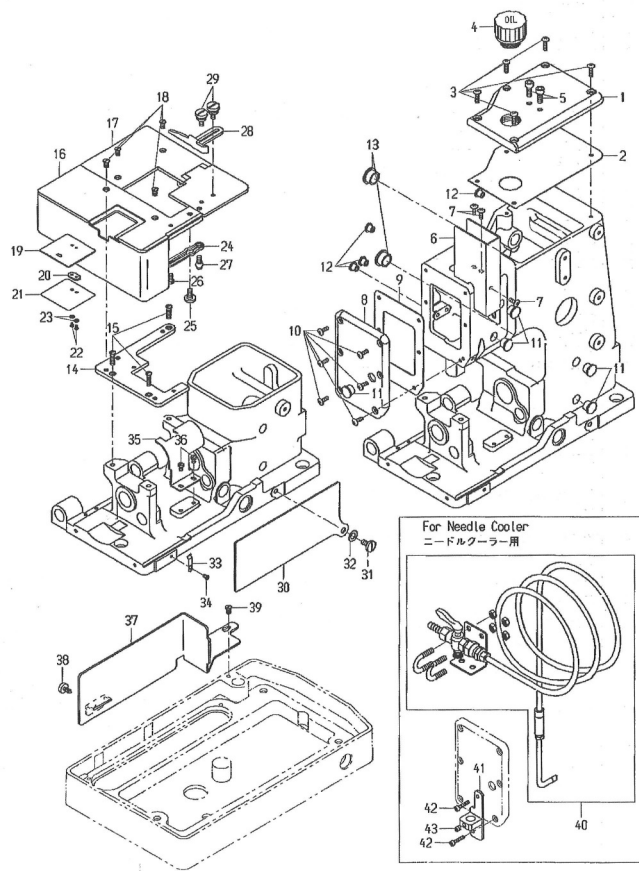


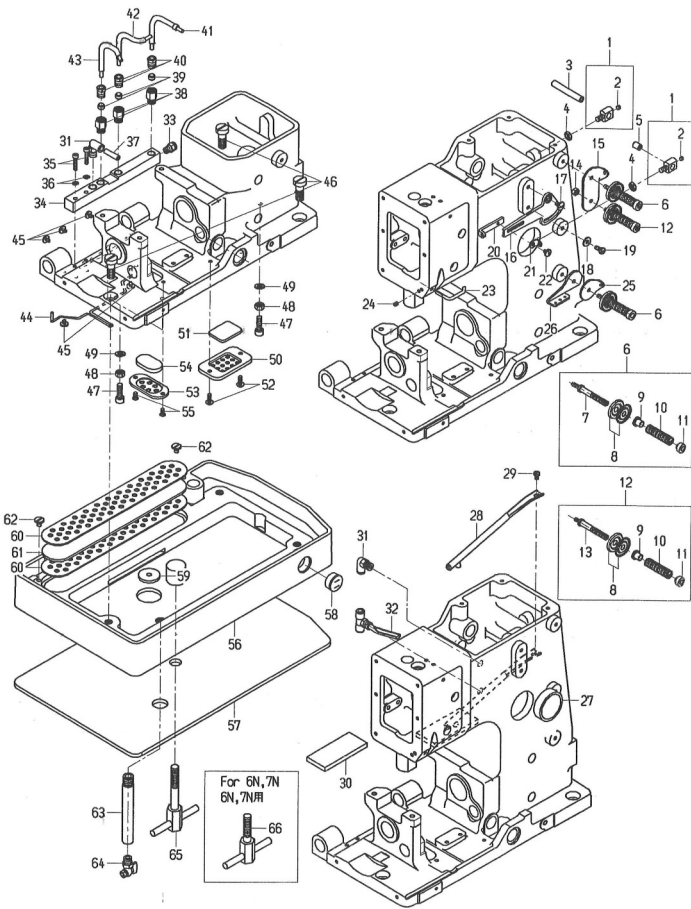
01 COVER PARTS
カバー関係



01 COVER PARTS
カバー関係

図番 Ref.No.	部品番号 Part No.	部品名称 Description	個数 Q'ty	摘要 Remarks
1	315032	Body Head Cover	1	本体カバー
2	315042	Gasket	1	オイルシート
3	10S4×16K	Screw for 315032, 315042	5	ネジ
4	D09005	Plug (BM-3/4)	1	給油口蓋
5	4B6×15	Screw	2	ネジ
6	315132	Needle Bar Cover	1	針棒カバー
7	10S4×12K	Screw for 315132	3	ネジ
8	315052	Face Plate, upper	1	上面板
9	315062	Gasket	1	オイルシート
10	10S4×12K	Screw for 315052, 315062	6	ネジ
11	255351	Rubber Bushing	5	キャップ
12	065401	Rubber Bushing	4	キャップ
13	605271	Rubber Bushing	2	キャップ
14	315012	Throat Plate Support	1	針板土台
15	7/32S32007	Screw for 315012	3	ネジ
16	315371	Cloth Plate A	1	ベースカバー-A
17	315381	Cloth Plate B	1	ベースカバー-B
18	78057	Screw for 315012	4	ネジ
19	015081	Cloth Plate	1	角板
20	315351	Plate	1	間壁
21	315342	Cloth Plate Slide Support	1	角板バネ
22	3/32S56004	Screw for 315341, 315351	2	ネジ
23	2W3	Washer	2	ワッシャー
24	035151	Stopper Spring	1	ストッパーバネ
25	15/64S28017	Screw	1	ネジ
26	3/16S32028	Screw	1	ネジ
27	15/64S28018	Screw	1	ネジ
28	015111	Guide	1	定規
29	3/16S32004	Screw for 015111	2	ネジ
30	315082	Side, Cover, front	1	側面板
31	15/64S28017	Screw	1	ネジ
32	5/16W05201	Washer	1	ワッシャー
33	P1091	Spring	1	板バネ
34	9/64S40004	Screw for P1091	2	ネジ
35	315221	Cover	1	油除けカバー
36	11/64S40005	Screw for 315221	2	ネジ
37	315391	Side Cover, rear	1	油除け
38	3/16S32024	Screw for 315391	1	ネジ
39	3/16S32031	Screw for 315391	1	ネジ
For Needle Cooler				
40	035642A	Needle Cooler Ass'y	(1)	ニードルクーラー付 (41-44)
41	315331	Holder	(1)	ニードルクーラーホルダー
42	4B4×20	Screw	(2)	ネジ
43	1S6×6	Screw	(1)	ネジ

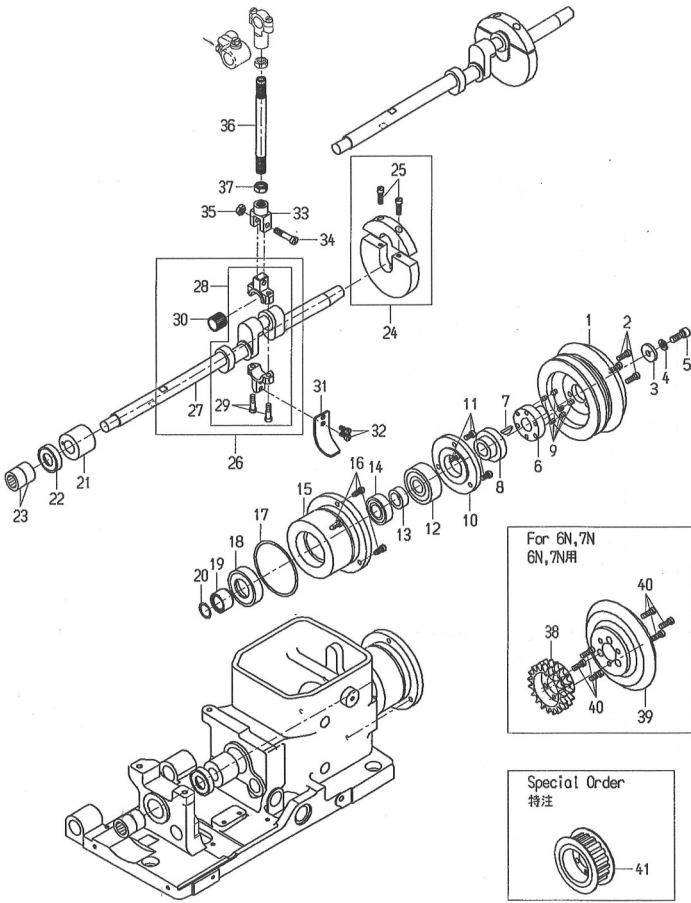
02 THREAD TENSION AND OILING PARTS
糸調子、給油関係



02 THREAD TENSION AND OILING PARTS
糸調子、給油関係

図番 Ref.No.	部品番号 Part No.	部品名称 Description	部 品 名 称	個数 Q'ty	摘要 Remarks
1	255072	Frame Thread Eyelet Support	糸ガイドホルダー	2	(2)
2	11/64S40501	Screw for 075091, 255251	ネジ	2	
3	075091	Frame Thread Eyelet	糸ガイドパイプ	1	
4	15/64N28206	Nut	ナット	2	
5	255251	Thread Eyelet	糸ガイドブッシュ	1	
6	035021A	Thread Tension Ass'y	糸調子組	2	(7-11)
7	035021	Tension Post	糸調子芯棒	2	
8	065261	Tension Disc	糸調子皿	6	
9	035071	Tension Post Ferrule	糸調子スリーブ	3	
10	035061	Tension Spring	糸調子スプリング	3	
11	065171	Tension Nut	糸調子ナット	3	
12	035022A	Thread Tension Ass'y	糸調子組	1	(8-11.13)
13	035022	Tension Post	糸調子芯棒	1	
14	11/64N40104	Nut	ナット	1	
15	035011	Tension Thread Guide	糸ガイド座金	1	
16	035031	Needle Thread Controller A	上糸調節 A	1	
17	11/64S40014	Screw for 035031	ネジ	1	
18	11/64W15103	Washer for 035031	ワッシャー	1	
19	11/64S40009	Screw for 035031	ネジ	1	
20	035042	Needle Thread Controller B	上糸調節 B	1	
21	245261	Thread Guide	糸ガイド	1	
22	9/64S40005	Screw for 035042, 245261	ネジ	1	
23	065271	Needle Thread Guide	上糸掛ケ	1	
24	1S4×5	Screw for 035042, 245261	ネジ	1	
25	015011	Tension Thread Guide	糸ガイド座金	1	
26	035083	Looper Thread Controller	下糸調節	1	
27	035010	Oil Gauge (W-40)	オイル確認窓	1	
28	315421	Oil Pipe	オイルパイプ	1	
29	11/64S40006	Screw for 315421	ネジ	1	
30	105521	Felt	フェルト	1	
31	D07034	Quick-Fitting Joint, elbow (PL6-01M)	ジョイントエルボ	1	
32	315261	Cupling	油受け	1	
33	D07033	Quick-Fitting Joint, straight (PC6-01M)	ジョイント	1	
34	315251	Oil Distributor	分配器	1	
35	4B4×20	Screw	ネジ	2	
36	3W4	Spring Washer	バネ座金	2	
37	3F12-6×30	Tube	チューブ	2	
38	D07013	Joint	ジョイント	3	
39	D07008	Compression Sleeve	コンプレッションスリーブ	1	
40	D07006	Compression Bushing	コンプレッションブッシング	3	
41	315271	Oil Tube A	給油管 A	1	
42	315281	Oil Tube B	給油管 B	1	
43	315291	Oil Tube C	給油管 C	1	
44	315441	Felt	給油綿	1	
45	9/64S40011	Screw for 315441	ネジ	5	
46	W3/8S16001	Screw	ネジ	3	
47	4B6×20	Screw	ネジ	2	
48	1N6	Nut	ナット	2	
49	3W6	Spring Washer	バネ座金	2	
50	315111	Cover	ベルクランク底板	1	
51	315311	Felt	給油綿	1	
52	10S4×12K	Screw for 315111	ネジ	2	
53	315162	Cover	カバー	1	
54	315321	Felt	給油綿	1	
55	11/64S40007	Screw for 315162	ネジ	2	
56	315102	Oil Pan	オイルパン	1	
57	315122	Rubber Pad	防振パッド	1	
58	10S5002	Oil Gouge (HL VA-01)	オイルゲージ	1	
59	315411	Magnet	マグネット	1	
60	315172	Cover	フェルト押エ	1	
61	315181	Oil Filter	フェルト	1	
62	3/16S32023	Screw for 315172	ネジ	2	
63	015151	Oil Pipe	オイル抜きパイプ	1	
64	D06001	Cock (PF1/8)	ピーcock	1	
65	015141	Oil Pan Fixing Screw	オイルパン取付ネジ	1	
66	015142	Oil Pan Fixing Screw	オイルパン取付ネジ	(1)	for 6N, 7N 片縫い機用

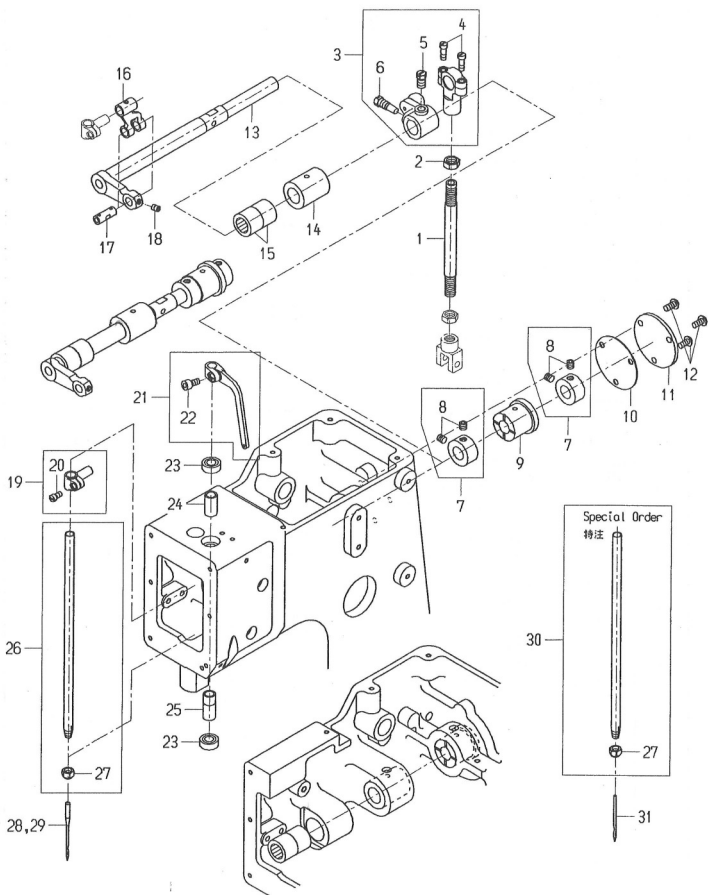
03 CRANK SHAFT PARTS
クランクシャフト関係



03 CRANK SHAFT PARTS
クランクシャフト関係

図番 Ref.No.	部品番号 Part No.	部品名称 Description	個数 Q'ty	摘要 Remarks
1	031181	Pulley	1	
2	3/16S28005	Screw for 031181	3	
3	15/64W30102	Washer for 031181	1	
4	3W6	Spring Washer for 031181	1	
5	15/64S28039	Screw for 031181	1	
6	031151	Pulley Holder	1	
7	2K3×16	Key for 031151 (316)	1	
8	031141	Stopper Collar	1	
9	11/64S40504	Screw	6	
10	311051	Bearing Holder	1	
11	3/16S28014	Screw for 311051	3	
12	1A01002	Ball Bearing (6302ZZ)	1	
13	311061	Collar	1	
14	1A01004	Ball Bearing (6202ZZ)	1	
15	311042	Crank Shaft Bushing Housing	1	
16	3/16S28017	Screw for 311042	3	
17	32LS65	"O" Ring	1	
18	D04003	Oil Seal (SC224211)	1	
19	031201	Bearing Holder Collar B	1	
20	31L1015	"O" Ring	1	
21	311031	Crank Shaft Bushing, middle	1	
22	D04013	Oil Seal (TC15307)	1	
23	3A03024	Needle Bearing (HMK1513L)	2	
24	311071	Balance Weight	1	(25)
25	3/16S28018	Screw for 311071	2	
26	311021A	Crank Shaft Ass'y	1	(27-30)
27	311021	Crank Shaft	1	
28	312011	Needle Roller Case	1	(29)
29	3/16S28029	Screw for 312011	2	
30	51216M	Needle Roller (Q-8109)	28	
31	312201	Oil Scrapper	1	
32	11/64S40006	Screw for 312201	1	
33	312021	Crank Shaft Connection	1	
34	22587K	Screw	1	
35	219N28201	Nut	1	
36	51216	Connection Rod	1	
37	80630D	Nut	1	
38	031161	Sprocket	(1)	
39	031171	Pulley	(1)	
40	3/16S28005	Screw for 031161,031171	6	
41	031191	Timing Pulley	(1)	

04 ARM ROCKER SHAFT AND NEEDLE BAR PARTS
上軸、針棒関係



20

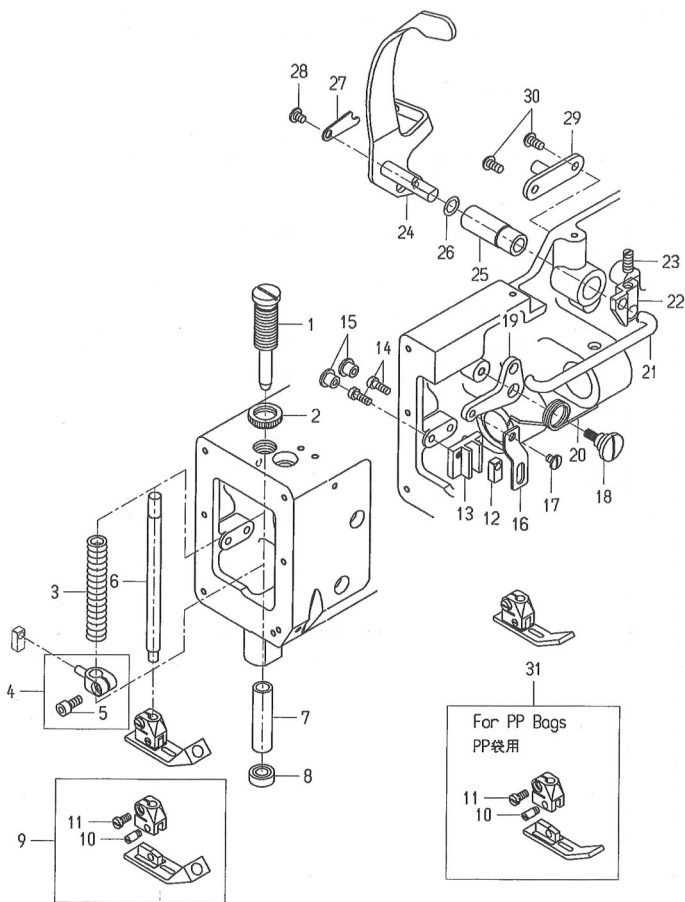
04 ARM ROCKER SHAFT AND NEEDLE BAR PARTS
上軸、針棒関係

図番 Ref.No.	部品番号 Part No.	部品名称 Description	個数 Q'ty	摘要 Remarks
1	51216	Connection Rod	1	
2	80630C	Nut, left thread	1	
3	312031A	Crank Shaft Connection Rod Ass'y	1	(4-6)
4	11/64S40090	Screw	2	
5	9/32S28001	Screw	1	
6	9/32S28015	Screw	1	
7	032101	Arm Rocker Shaft Coller	2	(8)
8	15/64S28525	Screw for 032101	4	
9	312062	Arm Rocker Shaft Bushing, rear	1	
10	302082	Gasket	1	
11	302072	Rear Cover	1	
12	3S5×10	Screw for 302072, 302082	3	
13	312042	Arm Rocker Shaft	1	
14	312051	Arm Rocker Shaft Bushing, middle	1	
15	3A03021	Needle Bearing (HMK1515)	2	
16	302021	Needle Bar Connecting Link	1	
17	032141	Needle Bar Connecting Pin	1	
18	1S5×6	Screw for 032141	1	
19	032171	Needle Bar Connecting Stud	1	(20)
20	11/64S40002	Screw for 032171	1	
21	302101	Needle Thread Take-up	1	(22)
22	4B5×10	Screw for 302101	1	
23	D04015	Oil Seal (TC4 8 16.5 7)	2	
24	092052	Needle Bar Bushing, upper	1	
25	092062	Needle Bar Bushing, lower	1	
26	302091A	Needle Bar	1	(27)
27	062151	Needle Clamp Nut	1	
28	B02001	Needle (DR×2 #25)	1	
29	B02001	Needle (DR-H30 #26) for PP Bags	(1)	
30	312221A	Needle Bar	(1)	(27)
31	B01002	Needle (DN×1 #25)	(1)	

21

05 PRESSER FOOT AND LIFTER LEVER PARTS

押エ金、押エ揚ゲ関係



22

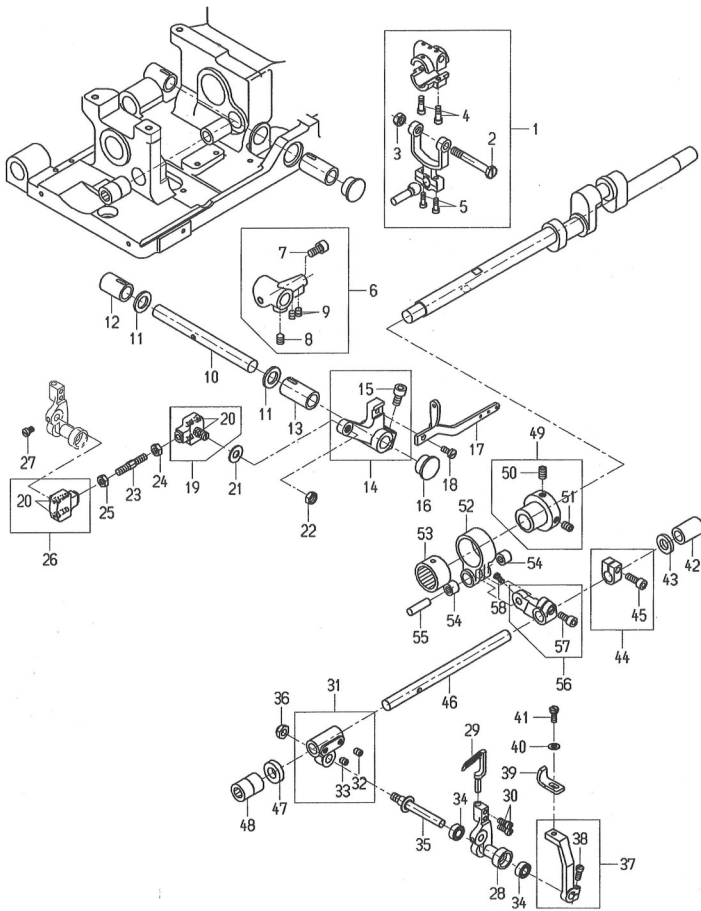
05 PRESSER FOOT AND LIFTER LEVER PARTS

押エ金、押エ揚ゲ関係

図番 Ref.No.	部品番号 Part No.	部品名称 Description	個数 Q'ty	摘要 Remarks
1	51256N	Presser Spring Regulator	1	
2	755261	Nut, Presser Spring Regulator	1	
3	53787	Presser Spring	1	
4	312122	Presser Bar Connection	1	(5)
5	4B5×12	Screw for 312122	1	
6	312071	Presser Bar	1	
7	062201	Presser Bar Bushing, lower	1	
8	D04016	Oil Seal (TC4 8.7 16.5 7)	1	
9	312102A	Presser Foot Ass'y for Paper Bags	1	(10,11)
10	11/64S40064	Screw	1	
11	11/64S40066	Screw	1	
12	312132	Slide Block	1	
13	312142	Presser Bar Guide	1	
14	11/64S40008	Screw for 312142	2	
15	065401	Rubber Bushing	2	
16	312151	Lifter Lever Link	1	
17	22758C	Screw for 312151	1	
18	22557B	Screw	1	
19	53783L	Lifter Lever Bell Crank	1	
20	52883S	Lifter Lever Bell Crank Spring	1	
21	312161	Lifter Lever Connection Rod	1	
22	53783N	Lifter Lever, internal	1	
23	22537	Screw	1	
24	312192	Presser Foot Lifter Lever	1	
25	312172	Presser Foot Lifter Lever Bushing	1	
26	660-207	"O" Ring	1	
27	51183C	Lifter Lever Latch	1	
28	22758C	Screw	1	
29	312182	Stopper	1	
30	3S5×10	Screw for 312182	2	
31	312091A	Presser Foot Ass'y for PP Bags	(1)	(10,11)

23

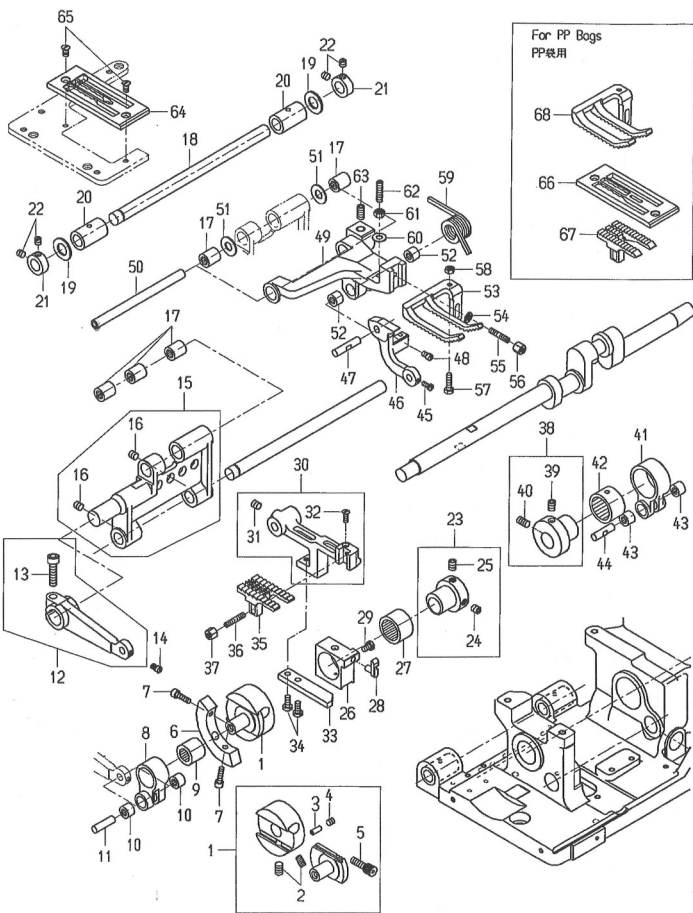
06 LOOPER ROCKER AND CONNECTING ROD PARTS
ルーパー揺動関係



06 LOOPER ROCKER AND CONNECTING ROD PARTS
ルーパー揺動関係

図番 Ref.No.	部品番号 Part No.	部品名称 Description	個数 Q'ty	摘要 Remarks
1	033022A	Looper Bell Crank Connection Rod Ass'y	1	(2-5)
2	1/4S40010	Screw	1	
3	1/4N40207	Nut	1	
4	11/64S40090	Screw	2	
5	9/64S40061	Screw	2	
6	303011	Looper Drive Lever Rocker	1	(7,8)
7	4B6×12	Screw for 303011	1	
8	1S6×8T	Screw for 303011	1	
9	1S5×6	Screw for 303011	2	
10	313011	Looper Drive Lever Shaft	1	
11	313041	Thrust Collar	2	
12	313031	Looper Drive Lever Shaft Bushing, rear	1	
13	313021	Looper Drive Lever Shaft Bushing, front	1	
14	313051	Looper Drive Lever	1	(15)
15	4B6×12	Screw for 313051	2	
16	605271	Rubber Bushing	1	
17	033072	Looper Thread Take-up	2	
18	11/64S40009	Screw for 033072	1	
19	763021AA	Ball Joint Ass'y, right	1	(20)
20	97A	Screw	4	
21	9/32W10106	Washer	2	
22	9/32N28210	Nut	1	
23	313141	Looper Connecting Rod	1	
24	18	Nut	1	
25	269	Nut, left thread	1	
26	753121AA	Ball Joint Ass'y, left	1	(20)
27	11/64S40005	Screw for 753121AA	1	
28	303171	Looper Rocker	1	
29	033121	Looper	1	
30	11/64S40003	Screw for 033121	2	
31	313101	Looper Rocker Frame	1	(32,33)
32	1S5×6	Screw for 313101	1	
33	1S5×8T	Screw for 313101	1	
34	1A01020	Ball Bearing (W687ZZ)	2	
35	313121	Looper Rocker Cone Stud	1	
36	6N1/4	Nut	1	
37	313131	Loop Retainer Base	1	(37)
38	11/64S40003	Screw for 313131	1	
39	033171	Loop Retainer	1	
40	11/64W10101	Washer for 033171	1	
41	11/64S40049	Screw for 033171	1	
42	313082	Looper Rocker Shaft Bushing, rear	1	
43	313171	Thrust Collar	1	
44	313161	Collar	1	(44)
45	4B5×12	Screw for 313161	1	
46	313091	Looper Rocker Shaft	1	
47	313111	Thrust Collar	1	
48	3A03016	Needle Bearing (HMK1012L)	2	
49	313061	Looper Avoid Eccentric	1	(50,51)
50	1S6×10	Screw for 033171	1	
51	1S6×8	Screw for 033171	1	
52	314071	Bearing Case	1	
53	3A03027	Needle Bearing (HK2216D)	1	
54	3A03022	Needle Bearing (SCE45P)	2	
55	314081	Link Pin	1	
56	313071	Looper Rocker Shaft Arm	1	(57)
57	4B5×12	Screw for 033171	1	
58	9/64S40002	Screw for 314081	1	

07 THROAT PLATE AND FEED DRIVING PARTS
針板、送り機構関係



07 THROAT PLATE AND FEED DRIVING PARTS
針板、送り機構関係

図番 Ref.No.	部品番号 Part No.	部品名称 Description	個数 Q'ty	摘要 Remarks
1	314012A	Feed Driving Eccentric Cam Ass'y	1	(2-5)
2	1/4S40508	Screw	2	
3	8FU2-4×10	Tube	1	
4	1S5×5	Screw	1	
5	7/32S32009	Screw	1	
6	314261	Blancer	1	
7	4B4×15	Screw for 314261	2	
8	314191	Feed Crank Link	1	
9	3A03025	Needle Bearing (HMK1216LL)	1	
10	3A03022	Needle Bearing (SCE45P)	2	
11	314082	Link Pin	1	
12	314022	Feed Rocker Arm	1	(13)
13	4B6×25	Screw for 314022	1	
14	11/64S40001	Screw for 314081	1	
15	314042	Feed Rocker	1	(16)
16	1S6×6	Screw for 314042	2	
17	3A03023	Needle Bearing (SCE59A)	5	
18	314062	Feed Rocker Shaft	1	
19	41391	Washer	2	
20	314211	Feed Rocker Shaft Bushing	2	
21	56335D	Feed Rocker Shaft Collar	2	
22	98	Screw for 56335D	4	
23	314092	Feed Lift Eccentric	1	(24,25)
24	1S6×6	Screw for 314092	1	
25	1S6×8	Screw for 314092	1	
26	314201	Feed Lift Eccentric Case	1	
27	3A03026	Needle Bearing (HK2016)	1	
28	314231	Needle Guide	1	
29	11/64S40091	Screw for 314231	1	
30	314052	Feed Bar	1	(31,32)
31	1S6×6	Screw for 314052	1	
32	9/64S40043	Screw for 314172	1	
33	034071	Feed Bar Shoe	1	
34	11/64S40009	Screw for 034071	2	
35	314281	Feed Dog	1	
36	11/64S40505	Screw for 314172	1	
37	11/64N40204	Nut for 314172	1	
38	313061	Looper Avoid Eccentric	1	(39,40)
39	1S6×8	Screw for 313061	1	
40	1S6×10	Screw for 313061	1	
41	314071	Bearing Case	1	
42	3A03027	Needle Bearing (HK2216D)	1	
43	3A03022	Needle Bearing (SCE45P)	2	
44	314081	Link Pin	1	
45	9/64S40002	Screw for 314081	1	
46	314111	Upper Feed Bar Arm	1	
47	314131	Link Pin	1	
48	11/64S40001	Screw for 314131	1	
49	314102	Upper Feed Bar	1	
50	314122	Upper Feed Bar Shaft	1	
51	707371	Thrust Collar	1	
52	3A03022	Needle Bearing (SCE45P)	2	
53	314291	Upper Feed Dog	1	
54	3W5	Spring Washer	1	
55	11/64S40505	Screw for 314141	1	
56	11/64N40204	Nut for 314141	1	
57	906A	Screw	1	
58	907	Nut	1	
59	51134N	Upper Feed Bar Spring	1	
60	2W5	Washer	1	
61	1N5	Nut	1	
62	1S5×20	Screw	1	
63	1S8×12	Screw for 314102	1	
64	314271	Throat Plate	1	
65	11/64S40007	Screw for 314162	2	
66	314151	Throat Plate for PP Bags	(1)	
67	314241	Feed Dog for PP Bags	(1)	
68	314141	Upper Feed Dog for PP Bags	(1)	

NUMERICAL INDEX OF PARTS

パーツ索引

PART NO.	PAGE	PART NO.	PAGE	PART NO.	PAGE	PART NO.	PAGE
015011	17-25	302091A	21-26	314062	27-18	605271	15-13,25-16
015081	15-19	302101	21-21	314071	25-52, 27-41	707371	27-51
015111	15-28	303011	25-6	314081	25-55, 27-44	753121AA	25-26
015141	17-65	303171	25-28	314082	27-11	755261	23-2
015142	17-66	311021	19-27	314092	27-23	763021AA	25-19
015151	17-63	311021A	19-26	314102	27-49	51134N	27-59
031141	19-8	311031	19-21	314111	27-46	51183C	23-27
031151	19-6	311042	19-15	314122	27-50	51216	19-36, 21-1
031161	19-38	311051	19-10	314131	27-47	51216M	19-30
031171	19-39	311061	19-13	314141	27-68	51256N	23-1
031181	19-1	311071	19-24	314151	27-66	52883S	23-20
031191	19-41	312011	19-28	314191	27-8	53783L	23-19
031201	19-19	312021	19-33	314201	27-26	53783N	23-22
032101	21-7	312031A	21-3	314211	27-20	53787	23-3
032141	21-17	312042	21-13	314231	27-28	56335D	27-21
032171	21-19	312051	21-14	314241	27-67	660-207	23-26
033022A	25-1	312062	21-9	314261	27-6	P1091	15-33
033072	25-17	312071	23-6	314271	27-64		
033121	25-29	312091A	23-31	314281	27-35		
033171	25-39	312102A	23-9	314291	27-53		
034071	27-33	312122	23-4	315012	15-14		
035011	17-15	312132	23-12	315032	15-1		
035021	17-7	312142	23-13	315042	15-2		
035021A	17-6	312151	23-16	315052	15-8		
035022	17-13	312161	23-21	315062	15-9		
035022A	17-12	312172	23-25	315082	15-30		
035031	17-16	312182	23-29	315102	17-56		
035042	17-20	312192	23-24	315111	17-50		
035061	17-10	312201	19-31	315122	17-57		
035071	17-9	312221A	21-30	315132	15-6		
035083	17-26	313011	25-10	315162	17-53		
035151	15-24	313021	25-13	315172	17-60		
035642A	15-40	313031	25-12	315181	17-61		
062151	21-27	313041	25-11	315221	15-35		
062201	23-7	313051	25-14	315251	17-34		
065171	17-11	313061	25-49,27-38	315261	17-32		
065261	17-8	313071	25-56	315271	17-41		
065271	17-23	313082	25-42	315281	17-42		
065401	15-12,23-15	313091	25-46	315291	17-43		
075091	17-3	313101	25-31	315311	17-51		
092052	21-24	313111	25-47	315321	17-54		
092062	21-25	313121	25-35	315331	15-41		
105521	17-30	313131	25-37	315342	15-21		
245261	17-21	313141	25-23	315351	15-20		
255072	17-1	313161	25-44	315371	15-16		
255251	17-5	313171	25-43	315381	15-17		
255351	15-11	314012A	27-1	315391	15-37		
302021	21-16	314022	27-12	315411	17-59		
302072	21-11	314042	27-15	315421	17-28		
302082	21-10	314052	27-30	315441	17-44		

NUMERICAL INDEX OF PARTS

パーツ索引

PART NO.	PAGE	PART NO.	PAGE	PART NO.	PAGE	PART NO.	PAGE
SCREW (ネジ・ボルト)		154×5	17-24	NUT (ナット)		OTHER PARTS (その他)	
3/32S56004	15-22	155×5	27-4	11/64N40104	17-14	1A01002	19-12
9/64S40002	25-58, 27-45	155×6	21-18, 25-9	11/64N40204	27-37, 27-56	1A01004	19-14
9/64S40004	15-34	155×8T	25-33	15/64N28206	17-4	1A01020	25-34
9/64S40005	17-22	155×20	27-62	1/4N40207	25-3	3A03016	25-48
9/64S40011	17-45	156×6	15-43, 27-16	9/32N28210	25-22	3A03021	21-15
9/64S40043	27-32	156×6	27-24, 27-31	18	25-24	3A03022	25-54, 27-10
9/64S40061	25-5	156×8	25-51, 27-25	269	25-25	3A03023	27-17
11/64S40001	27-14, 27-48	156×8T	25-8	907	27-58	3A03024	19-23
11/64S40002	21-20	156×10	25-50, 27-40	1N5	27-61	3A03025	27-9
11/64S40003	25-30, 25-38	156×12	27-63	219N28201	19-35	3A03026	27-27
11/64S40005	15-36, 25-27	355×10	21-12, 23-30	6N1/4	25-36	3A03027	25-53, 27-42
11/64S40006	17-29, 19-32	1054×12K	15-7, 15-10	80630C	21-2	B01002	21-31
11/64S40007	17-55, 27-65	1054×16K	15-3	80630D	19-37	B02001	21-28
11/64S40008	23-14	4B4×20	15-42, 17-35			B20001	21-29
11/64S40009	17-19, 25-18	4B5×10	21-22			D04003	19-18
11/64S40014	17-17	4B5×12	23-5, 25-45			D04013	19-22
11/64S40049	25-41		25-57			D04015	21-23
11/64S40064	23-10	4B4×15	27-7	WASHER (ワッシャー)		D04016	23-8
11/64S40090	21-4, 25-4	4B6×12	25-7, 25-15	11/64W10101	25-40	D05002	17-58
11/64S40091	27-29	4B6×15	15-5	11/64W15103	17-18	D05010	17-27
11/64S40501	17-2	4B6×20	17-47	15/64W30102	19-3	D06001	17-64
11/64S40504	19-9	4B6×25	27-13			D07006	17-40
11/64S40505	27-36, 27-55	97A	25-20	9/32W10106	25-21	D07008	17-39
3/16S28005	19-2,19-40	98	27-22	5/16W05201	15-32	D07013	17-38
3/16S28014	19-11	906A	27-57	2W3	15-23	D07033	17-33
3/16S28017	19-16	22537	23-23	2W5	27-60	D07034	17-31
3/16S28018	19-25	22557B	23-18	3W4	17-36	D09005	15-4
3/16S28029	19-29	22587K	19-34	3W5	27-54	2K3×16	19-7
3/16S28004	15-29	22758C	23-17, 23-28	3W6	17-49, 19-4	31L1015	19-20
3/16S28023	17-62	78057	15-18	41391	27-19	32LS65	19-17
3/16S28024	15-38					8FU2-6×30	17-37
3/16S28028	15-26						
3/16S28031	15-39						
7/32S32007	15-15						
7/32S32009	27-5						
15/64S28017	15-25, 15-31						
15/64S28018	15-27						
15/64S28039	19-5						
15/64S28525	21-8						
1/4S40010	25-2						
1/4S40508	27-2						
9/32S28001	21-5						
9/32S28015	21-6						
W3/8S16001	17-46						

DN-5U

SCREW, NUT & WASHER (ネジ, ナット, ワッシャー)



DN-5U

SCREW, NUT & WASHER (ネジ, ナット, ワッシャー)

